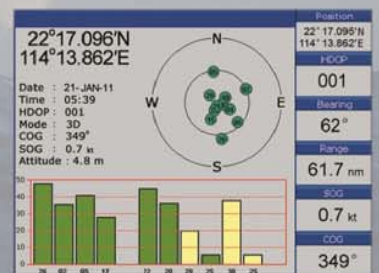
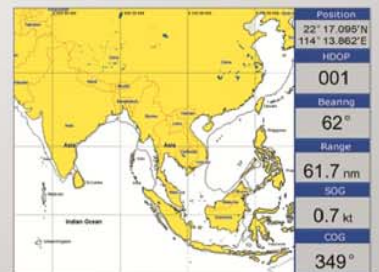


ONWA[®]

MODEL KP-6299



- High resolution TFT day-view LCD display
- SD-cards slot for C-Map MAX and user data
- C-Map MAX and K-Chart Selectable
- Tide table
- Versatile display mode include
 - Plotter Screen
 - Nav.Data
 - Satellite Information
 - AIS Display
 - Compass Screen
- GOTO track navigation
- Map orientation select
- Proximity waypoints alarms
- Perspective View
- Palette
 - Normal
 - Daylight - exposed to sunlight
 - Night - in dark environment
 - NOAA- paper chart colors



KP-6299

SPECIFICATION OF KP-6299

PLOTTER CHARACTERISTICS

Waypoints/icons:	15,000 waypoints with name, symbol, 10 proximity waypoint
Routes:	waypoint up to 200 points each, plus MOB and Track Navigation or Goto Track modes
Tracks:	30,000 point automatic track log; 15 saved track (up to 2000 track points each)let you retrace your path in both directions
Alarms:	XTE, Anchor drag, arrival, speed, voltage, proximity waypoint and time,AIS alarm.
Pallete:	Normal Daylight exposed to sunlight Night in dark environment NOAA paperchart colors
Tides:	Tide data
Projection:	Mercator projection
Position format:	Lat/Lon
Basemap:	Built-in Onwa K-Chart
External Map:	SD Cards slot for C-Map MAX
User data storage:	Internal backup of user settings, or external SD-card
Plot Interval:	1s to 99h or 0.01 nm to 9.99nm
Plotting scales:	0.01nm to 1,000nm
Nav Datat:	Inputs: \$--BWC, \$--BWR, \$--DBT, \$--DPT,\$--GGA, \$--GLL, \$--HDG,\$--HDM,\$--HDT,\$--MDA, \$--MTW,\$--RMA, \$--RMB, \$--RMC, \$--TLL,\$--TTM,\$--VDR, \$--VHW, \$--VTG, \$--WPL,\$--ZDA Outputs: \$--AAM, \$--APB, \$--BOD,\$--BWC,\$--GGA, \$--GLL, \$--RMB,\$--RMC,\$--VTG, \$--XTE, \$--ZDA Outputs for autopilot: \$--AAM, \$--APB, \$--BOD,\$--VTG
PERSPECTIVE VIEW:	On/off

Power Supply 10.5 to 35VDC, current drain <300mA at 12V

Physical

Size:	228mm(H)X138mm(W)X79mm(D)
Weight:	0.9kg
Display:	5.6-inches ColorTFT day-view LCD 640 X 480 pixels
Waterproofing:	Display unit: IPX5 Antenna unit: IPX6
Temperature range:	Display unit: -15° Cto +55° C Antenna unit:-25° Cto +70° C

GPS RECEIVER CHARACTERISTICS

Receiver:	12 parallel channel GPS receiver continuously Tracks and uses up to 12 satellites to compute and update your position
Acquisition times:	Cold start: 60 seconds average Warm start: 45 seconds average Hot start: 15 seconds average
Update rate:	1/second,continuous
Accuracy:	Position: <15 meters(95%) without S/A Velocity: 0.1 Meter/sec without S/A Time: ±100ns synchronized to GPS time
Dynamics:	Altitude: 18,000m Max Velocity: 500 m/s Acceleration: 4g Max
Datum:	WGS 84 & Others
Interfaces:	NMEA 0183 input and output,RS232 and RS422 output
Antenna:	KA07

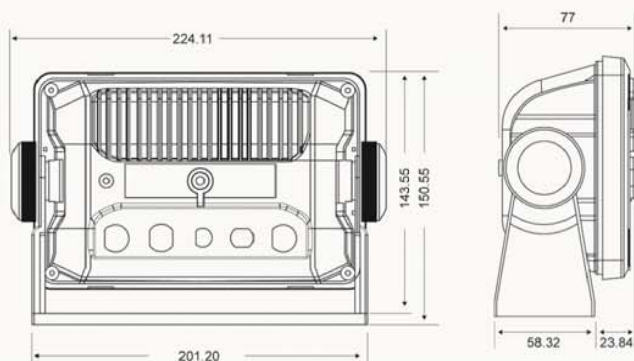
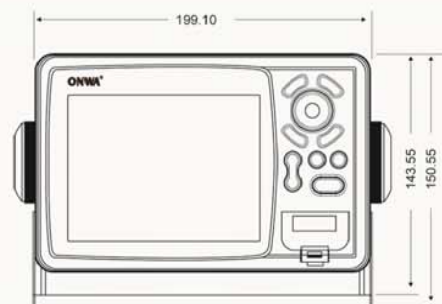
AIS interface

Data input:	NMEA 0183 , RS232 or RS422
Baud rate:	38,400

EQUIPMENT LIST

- Standard
1. Display unit
 2. Antenna unit with 10m cable
 3. Operator manual
 4. Installation materials and standard spare parts

DISPLAY UNIT



INTERCONNECTION DIAGRAM

