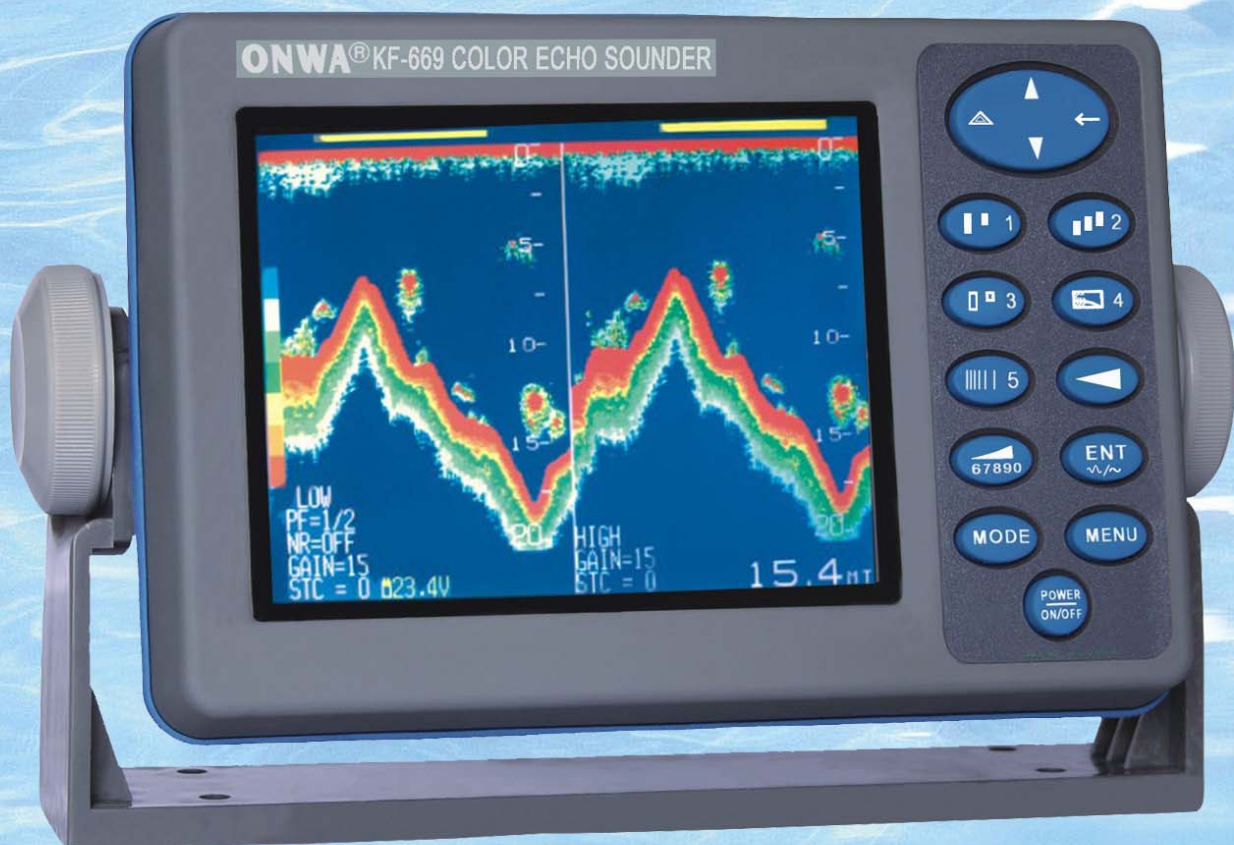


# ONWA<sup>®</sup> Model **KF-669** COLOR LCD ECHO SOUNDER

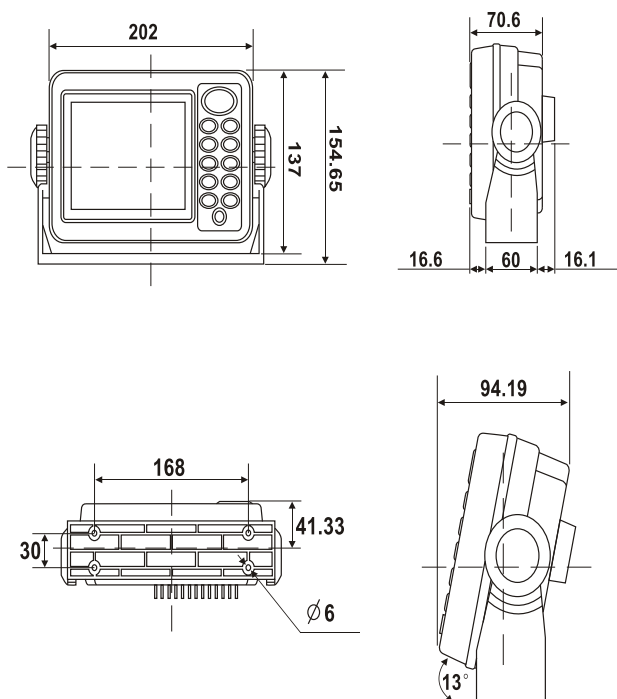
- Color LCD display with 7-color presentation
- Auto mode for hand off operation
- 300W RMS output power
- Nav data display(nav input required)
- Bottom expansion and mid-water expansion
- A-scope display
- Depth alarm
- Supply voltage monitor



# SPECIFICATION OF KF-669

- 1. Display**  
6" color TFT-LCD, daylight viewing, 320 x 240 pixels
- 2. Display Modes**  
LF, HF, Dual, Maker Zoom, Bottom-Lock, Bottom Zoom, and A-scope
- 3. Screen Split Modes**  
Vertical or Horizontal
- 4. Frequency**  
Choose of 50KHz, 200KHz or Dual Frequency 50 and 200KHz
- 5. Depth Range**  
2.5 to 1,000 meters/fathoms/braccia in 15 steps with 1-unit step shift
- 6. Expansion Ranges**  
1.5 to 200 meters/fathoms/braccia in 8 steps
- 7. Picture Advance**  
1/1, 1/2, 1/4, 1/8, 1/16, freeze
- 8. Echo Colors**  
7 out of 10 analog and digital RGB colors
- 9. Echo Threshold**  
Up to 5 weak echo colors suppressible
- 10. I/O Interface**  
NMEA-0183
- 11. Output Power**  
300W RMS
- 12. Transducer**  
50/200KHz dual frequency transducer in single housing
- 13. Transducer Draft**  
Adjustable in 0.1 unit steps
- 14. Weight**  
Display unit approx. 2.1Kgs
- 15. POWER SUPPLY**  
11 to 40VDC, approx. 13W
- 16. ENVIRONMENT**  
0 to 45°C, 95% RH for cabinet
- 17. EQUIPMENT LIST(Standard)**
  - ①. Display unit
  - ②. Bronze Transducer with 10m cable
  - ③. Operator manual
  - ④. Installation material and standard spare parts

## DISPLAY UNIT



SPECIFICATIONS SUBJECT TO CHANGE WITHOUT NOTICE

## INTERCONNECTION DIAGRAM

